

**PLEASE CHECK WWW.MOLEX.COM FOR LATEST PART INFORMATION**

**Part Number:** [1300600068](#)  
**Status:** **Active**  
**Overview:** [Brad Mini-Change Connectors](#)  
**Description:** Mini-Change MPIS, 3 Pole, 8 Ports, Straight Wiring, Yellow Housing

**Documents:**

[Drawing \(PDF\)](#) [RoHS Certificate of Compliance \(PDF\)](#)

**Agency Certification**

UL E152210

**General**

Product Family Passive Distribution Boxes  
 Series [130060](#)  
 IP Rating IP67  
 NEMA Rating NEMA 6  
 Overview [Brad Mini-Change Connectors](#)  
 Product Name Mini-Change  
 Taxonomy Passive Distribution Boxes  
 UPC 78172501464

**Physical**

Bus I/O Mini-Change  
 Cable Connector Orientation Straight  
 Cable Length N/A  
 Home Run Cable Length N/A  
 Home Run Connector Mini-Change - 3 pole  
 Home Run Interface N/A  
 Keyway Single  
 LED Indicator No  
 Material - Cable Jacket N/A  
 Material - Housing PBT  
 Material - Metal Copper Alloy  
 Material - Plating Mating Gold  
 Net Weight 835.062/g  
 Orientation Side Mount  
 Poles 3  
 Poles (wired) 3  
 Ports 8  
 Temperature Range - Operating 0°C to +60°C  
 Wiring Configuration Single I/O per Port

**Electrical**

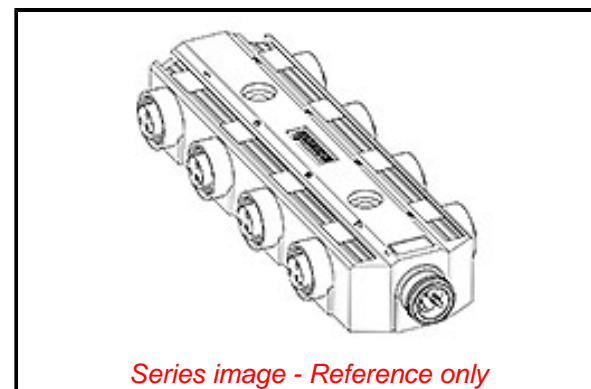
Current - Maximum per Contact 13.0A  
 Functional Wiring Parallel  
 Voltage - Maximum 600V AC/DC

**Material Info**

Engineering Number ACAUX8000

**Reference - Drawing Numbers**

Sales Drawing 1300600087-000, SD-130060-013-001



**EU ELV**

**Not Relevant**

**EU RoHS**

**Not Compliant**

**REACH SVHC**

Not Reviewed

**Halogen-Free**

**Status**

**Not Low-Halogen**

For more information, please visit [Contact US](#)

China ROHS

50 Image

ELV

Not Relevant

RoHS Phthalates

Contained: alat

**Search Parts in this Series**

[130060 Series](#)